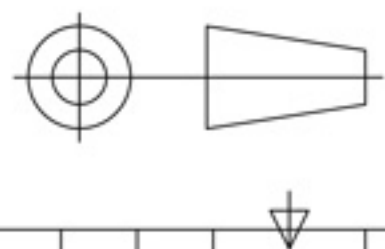
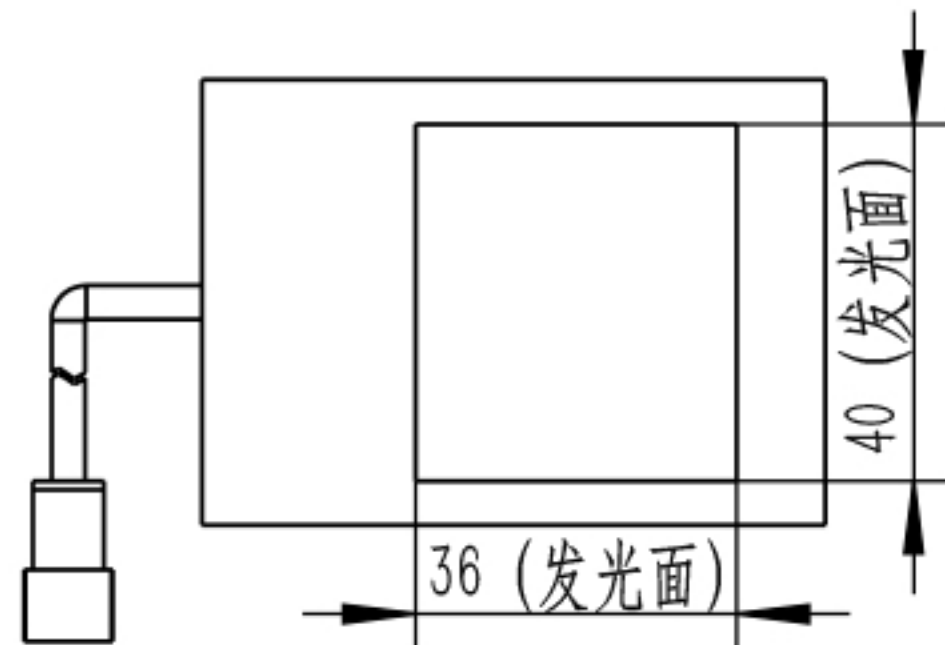
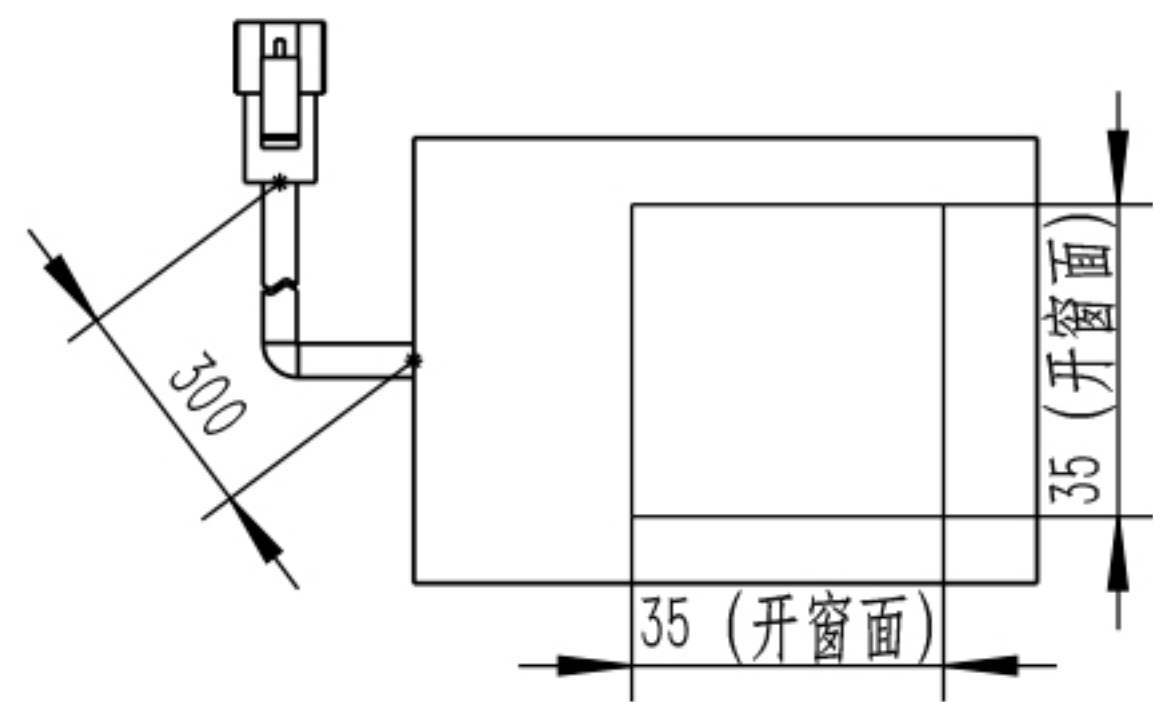
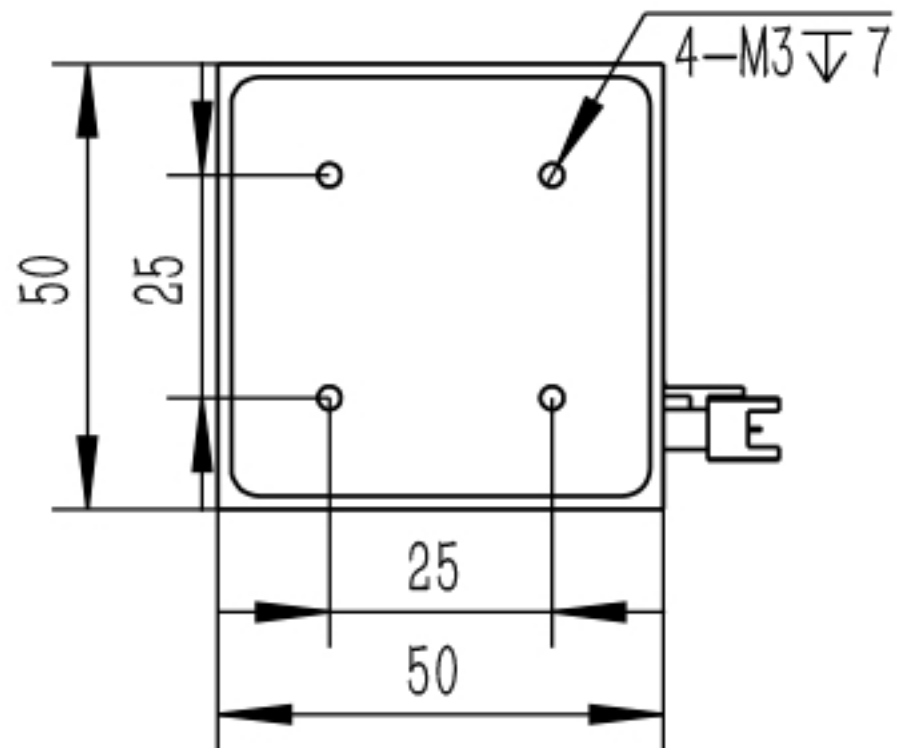
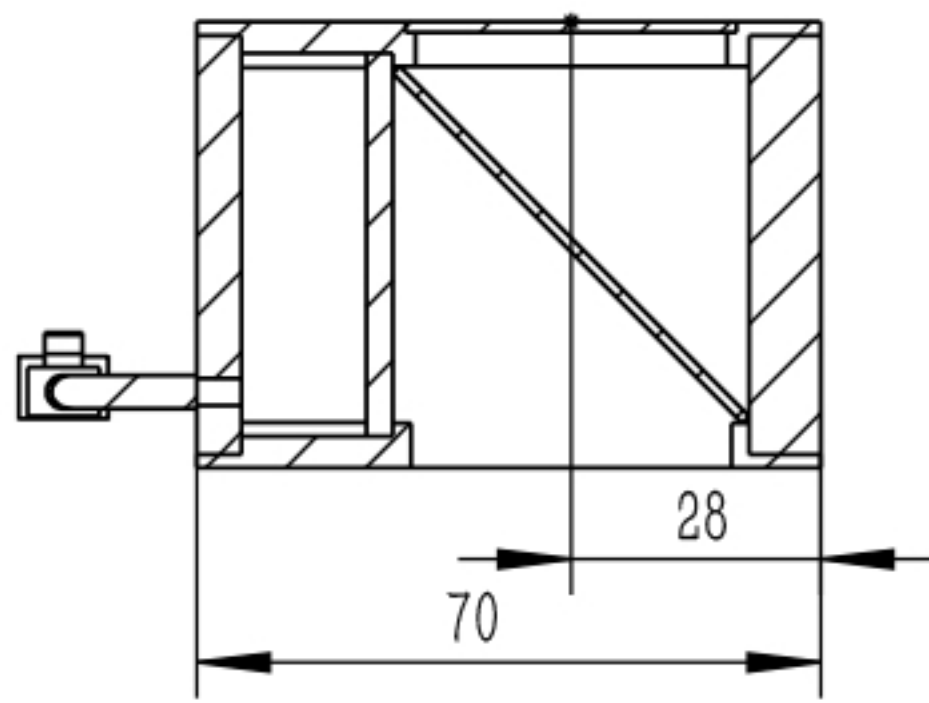


A
B
C
D
E
F

A
B
C
D
E
F



| | | | | |
|---------|----------|--------------------|----------------------|---------------------------------|
| Itemref | Quantity | Material: AL/ACRIL | ArticleNo./Reference | |
| | | | Filename YL-CO50 | Scale 1/1 |
| | | | YL-CO50 | |
| | | | YL-CO50-0000 | Edition VER1.0 Sheet 1 |