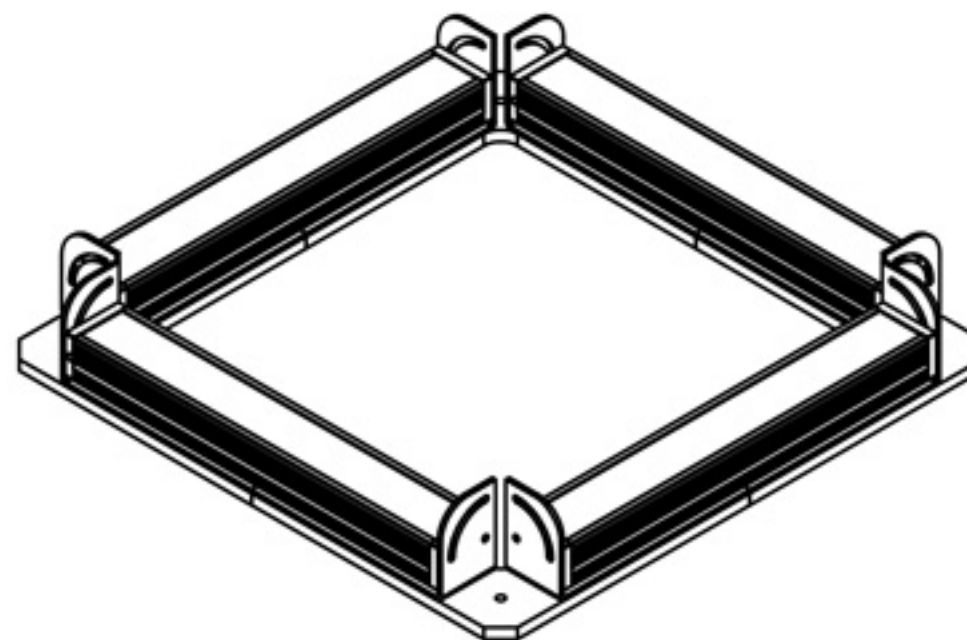
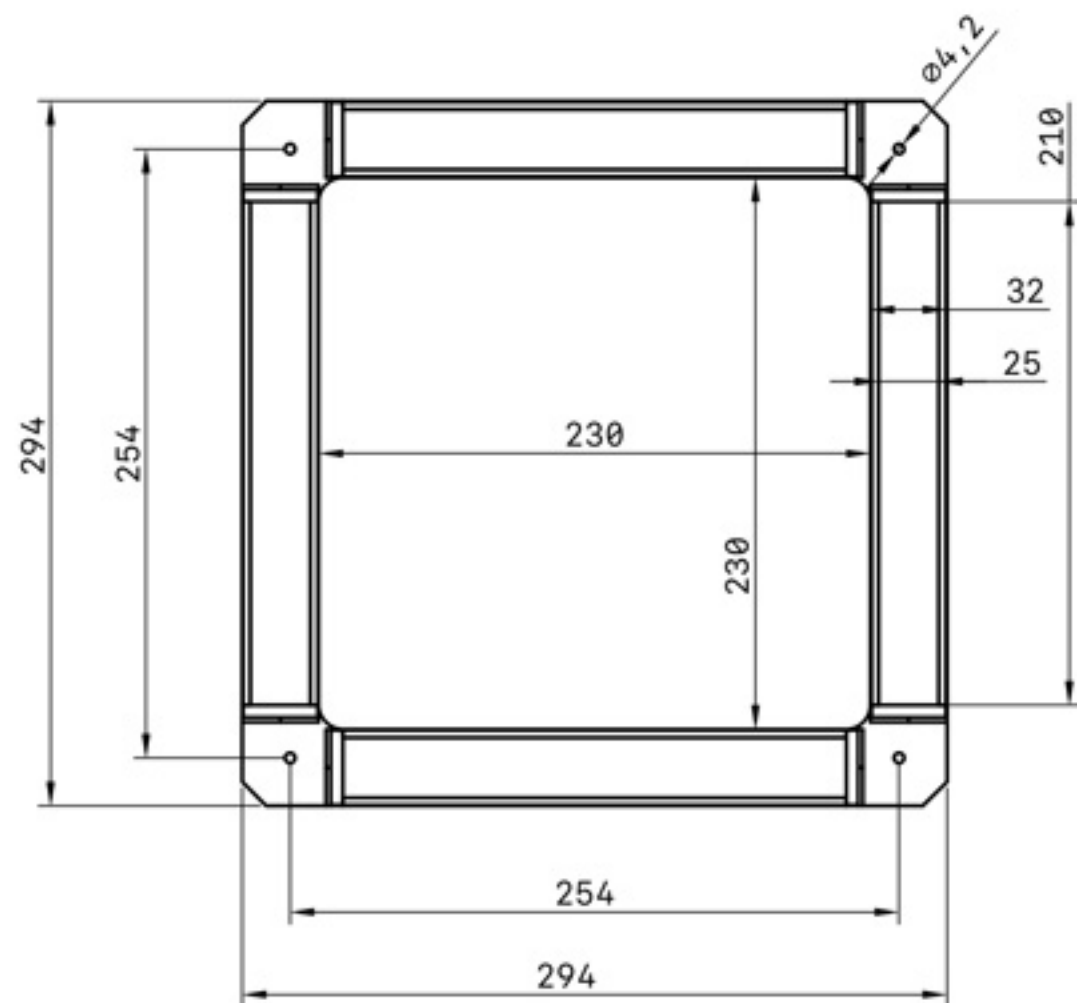
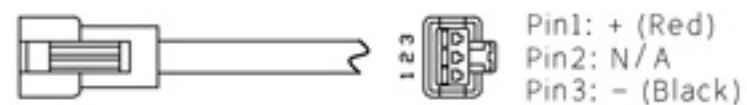


A
B
C
D
E
F

A
B
C
D
E
F



Details of Connector

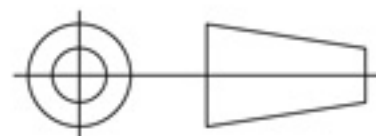



Pin1: + (Red)
Pin2: N/A
Pin3: - (Black)

Connector Type: SMR-03V-B (Light Side)
SMP-03V-BC (Power Supply Side)

Specification:

MODEL	YL-L21030-4-W/-UV/-B/-G/-Y/-R/-IR850/-IR940
Wavelength (nm)	6500K (Color temperature) / 390/470/525/625/850/940
Power Supply	DC24V/67.2 (W)



Itemref	Quantity	Material: AL/ACRIL	ArticleNo./Reference	
			Filename YL-L21030-4	Scale 1/1
			YL-L21030-4	
			YL-L21030-4-0000	Edition VER1.0 Sheet 1

1 2 3 4 5 6 7 8

1 2 3 4 5 6 7 8