

1

2

3

4

5

6

7

8

RevNo	Revision note	Date	Signature	Checked
-------	---------------	------	-----------	---------

A

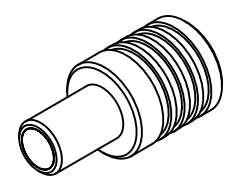
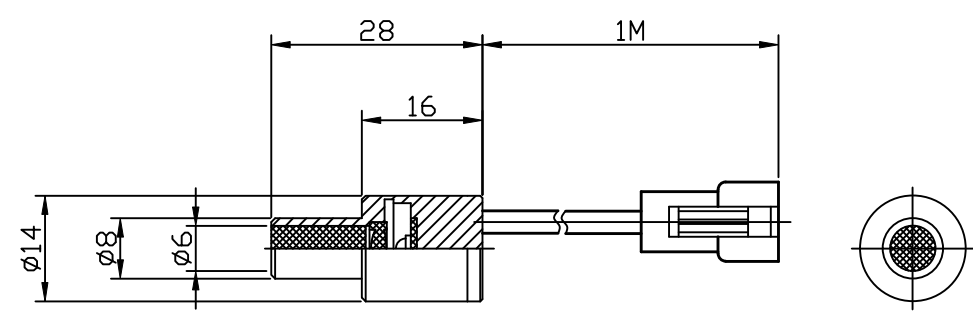
B

C

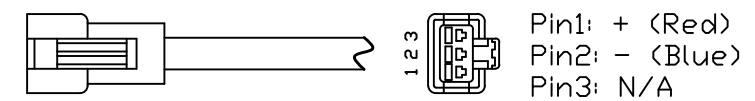
D

E

F



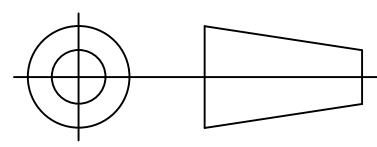
Details of Connector



Connector Type: SMR-03V-B (Light Side)
SMP-03V-BC (Power Supply Side)

Specification:

MODEL	WML-8-W/-B/-G/-UV	-Y/-R/-IR850/-IR940
Wavelength(nm)	6500K/470/525/390	590/625/850/940
Power Supply	DC5V300mA/1.8(W)	
Weight	22g	



Itemref	Quantity	Material: AL	Article No./Reference		
Designed by SUNNY.SYOH	Checked by SUNNY.SYOH	Approved by - date 2015-5-14	Filename WML-8	Date 2015-5-14	Scale 1/1
WAVECREST(SH)			WML-8-USER		
			WML-8-0000	Edition VER.1.0	Sheet 1

1

2

3

6

7

8