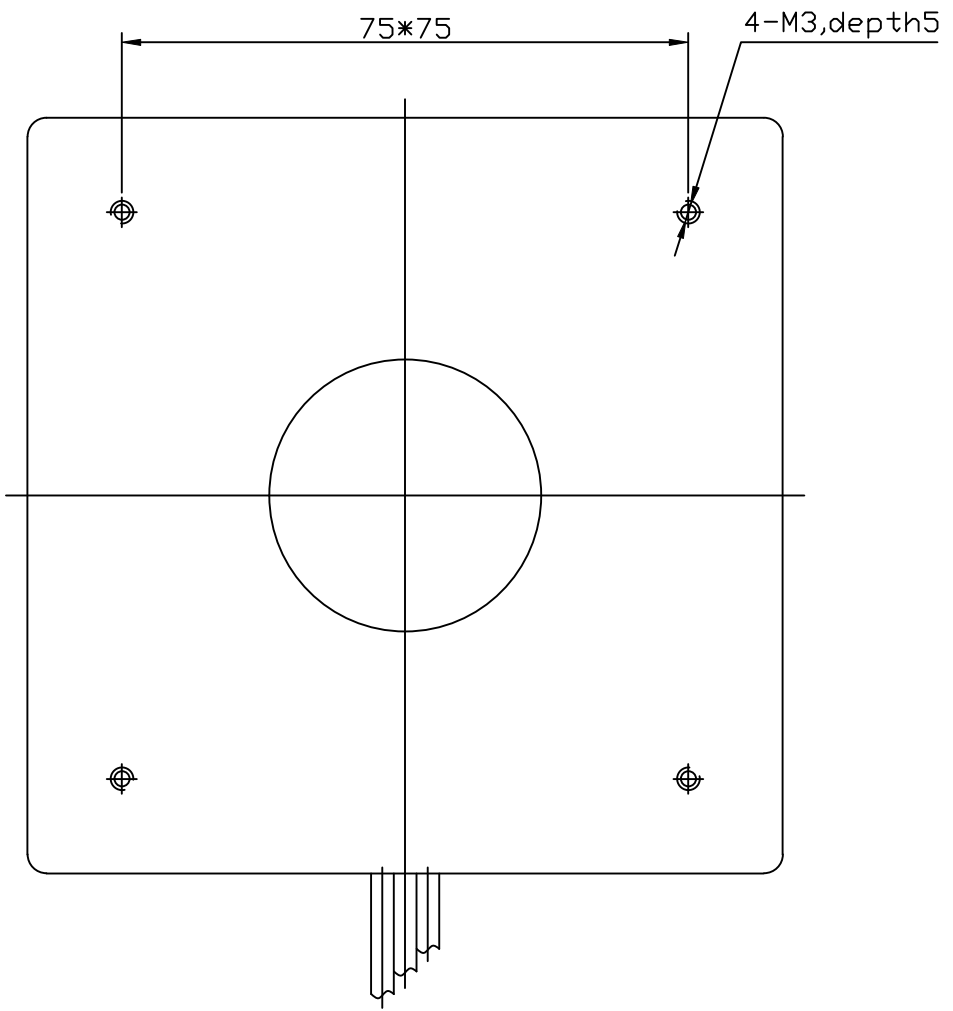
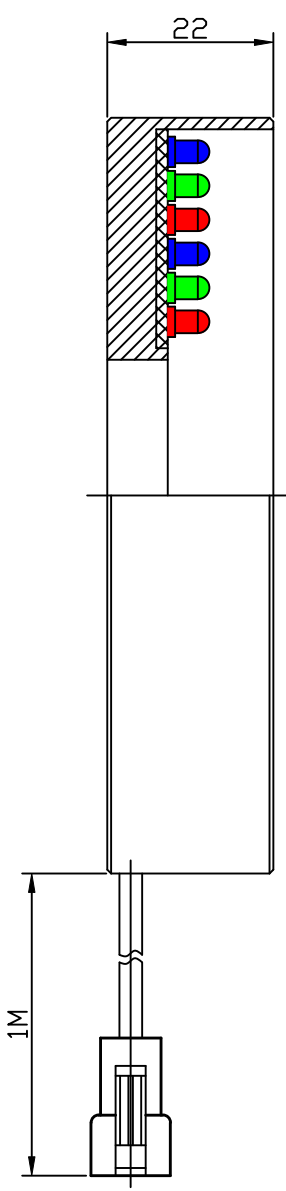
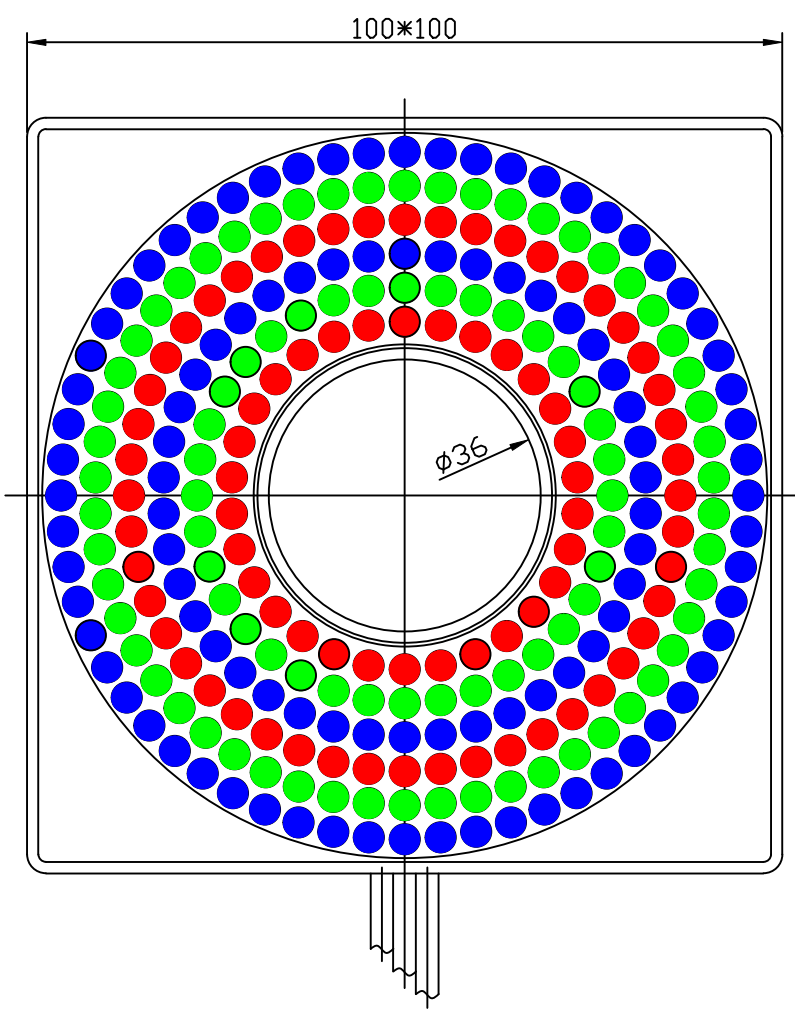
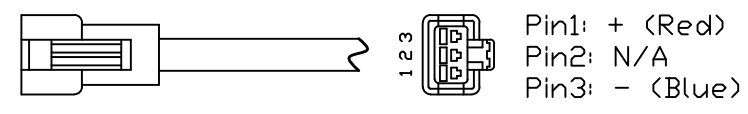


A
B
C
D
E
F

A
B
C
D
E
F



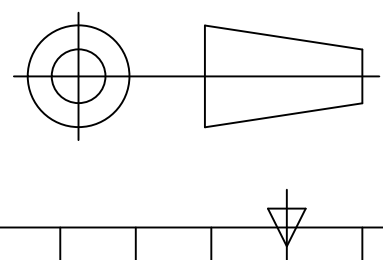
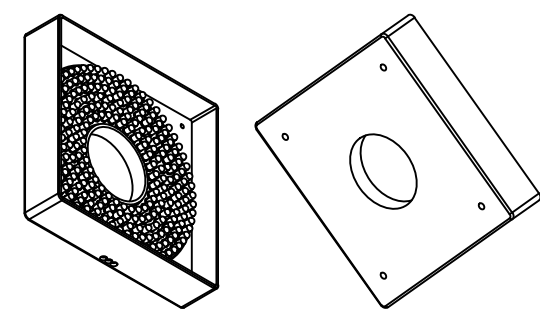
Details of Connector



Connector Type: SMP-03V-B (Light Side)
SMP-03V-BC (Power Supply Side)

Specification:

MODEL	WLDQ-100RGB
Wavelength(nm)	625/525/470
Power Supply	DC24V/14.4(W)
Weight	220g



Itemref	Quantity	Material: AL	Article No./Reference		
Designed by DESIGNED_BY	Checked by CHECKED_BY	Approved by - date 2014-1-1	Filename WLDQ-100RGB	Date 2014-1-1	Scale 1/1
WAVECREST(SH)			WLDQ-100RGB-USER		
			WLDQ-100RGB-0000	Edition VER.1.0	Sheet 1