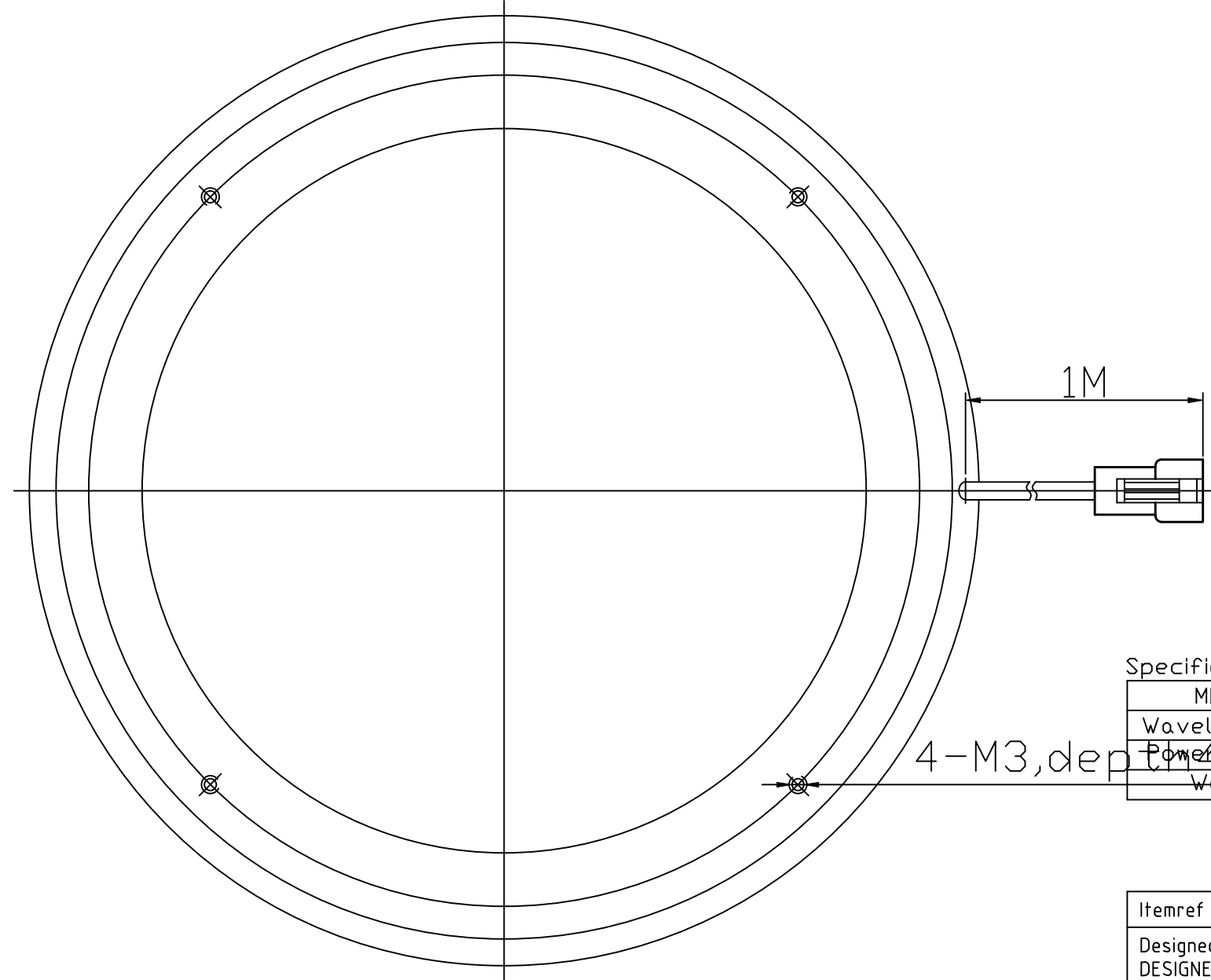
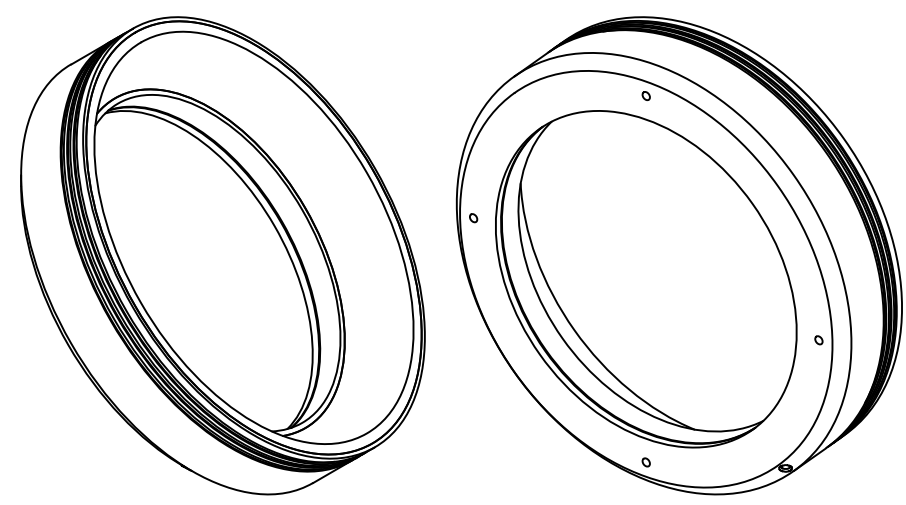
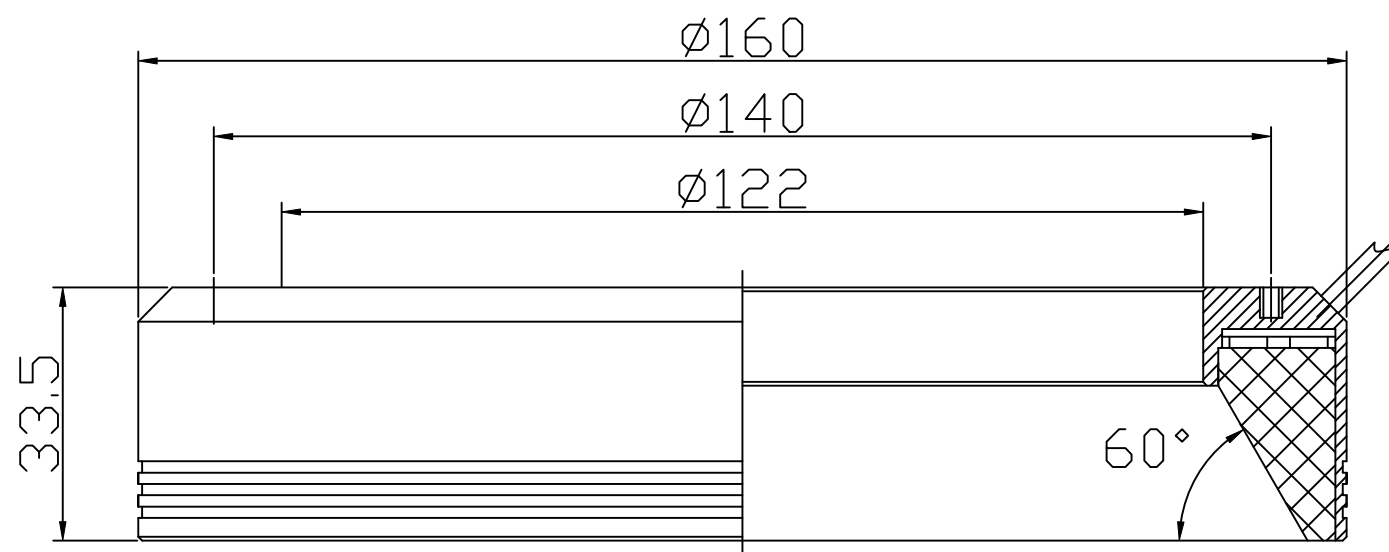
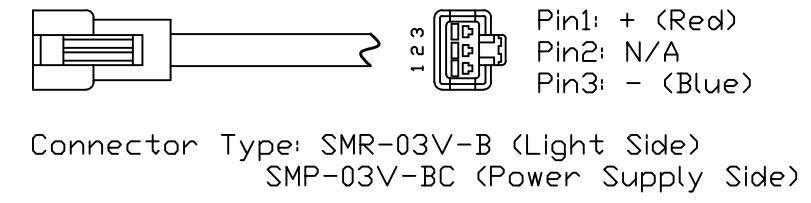


A  
B  
C  
D  
E  
F

A  
B  
C  
D  
E  
F



Details of Connector



Specification:

MODEL	WLFR2-60LA160-W/-B/-G/-UV	-Y/-R/-IR850/-IR940
Wavelength(nm)	6500K/470/525/390	590/625/850/940
Power Supply	DC24V/13.0(W)	DC24V/8.6(W)
Weight	375g	

4-M3, depth 4

Itemref	Quantity	Material: AL	Article No./Reference		
Designed by DESIGNED_BY	Checked by CHECKED_BY	Approved by - date 2014-08-07	Filename FR2-60LA160	Date 2014-08-07	Scale 1/1
WAVECREST(SH)			WLFR2-60LA160-USER		
			WLFR2-60LA160-0000	Edition VER.1.0	Sheet 1